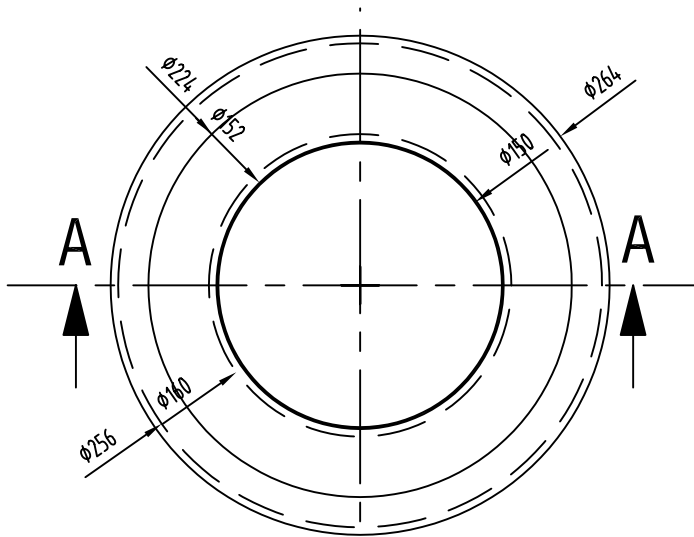
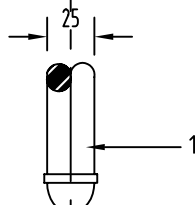


APPENDIX 5 – STT DRAWINGS



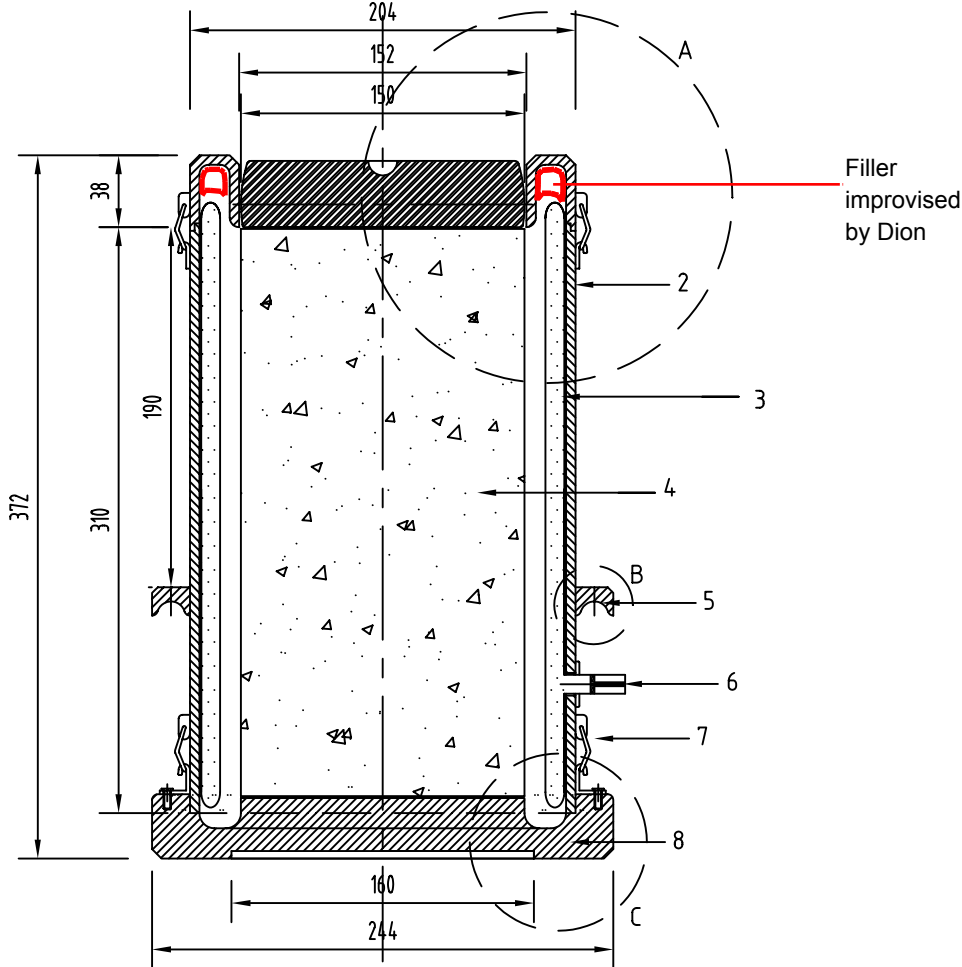
TOP VIEW OF TRIAXIAL CELL



TRIAXIAL CELL ACCESSORIES:

1. Loading ram
2. Galvanised steel casing 5mm thick
3. Latex tube 320 long glued to steel casing
4. Specimen 150x300
5. Steel casing handles (Grooved steel ring handle)
6. Pressure inlet
7. Simple mechanical clamps, 4no@90 degree c/c
8. Base plate and bottom platen in one

N/B: All dimensions in mm



SECTION VIEW A-A (Scale 1:4)

